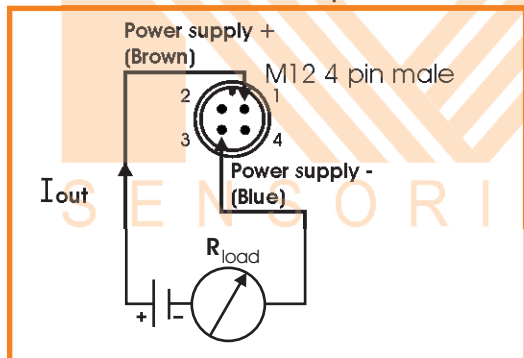


Programmable temperature transmitter OEM version, with stainless steel body, M12 male thread connector and input with wires for simply sensor connection. To be used as a component in a customized probes.

Output connection

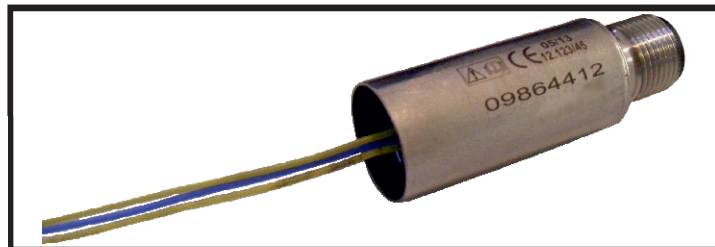


# EVOMINI + W

## PROGRAMMABLE TEMPERATURE TRANSMITTER

### OEM VERSION WITH 4-20mA OUTPUT

ISO 9001:2000

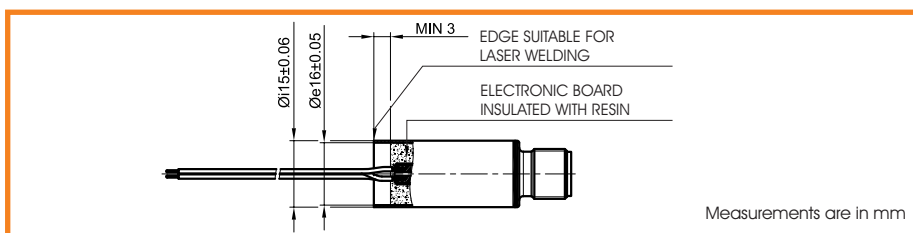
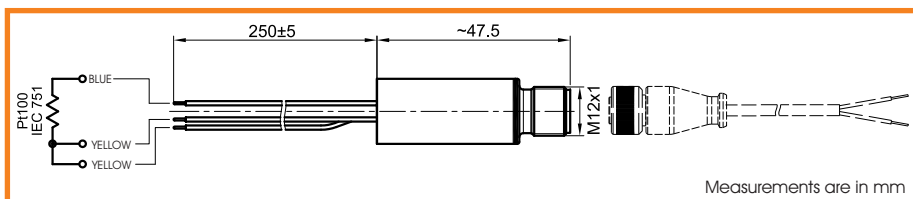
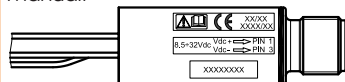


#### Device marking

The device marking includes:

- Symbol «**SEE MANUAL**»;
- Marking symbol «**CE**»;
- Batch production number (CPI);
- Week / Year production;
- Power supply range (8.5 ÷ 32Vdc)
- Pin out
- Serial number electronic device.

For all others data see the user's manual.



#### TECNICAL DATA

##### Body:

Stainless steel AISI316L

##### Connection:

M12x1 male in accordance to VDE0627 (output connection)

##### Input:

Pt100 in accordance to IEC751

##### Sensor current:

~ 0,5mA

##### Max resistance of sensor wire:

20Ω / wire

##### Sensor break monitoring:

Selectable:

Upscale (>21,0mA) or Downscale (<3,6mA) action

##### Sensor short - circuit:

Fixed to downscale (<3,6mA) action

##### Output:

Signal: 4 ÷ 20mA

Permissible load: 700Ω @ 24Vdc [RLo=(Vsupply-8,5)/0,022]

Response time (90%): <50ms

##### Isolation In - Out:

Non - isolated

##### Power supply:

8,5 ÷ 32Vcc (polarity protected)

##### Accuracy:

Max. value between ±0,2°C and ±0,2% of span

##### Environment and stocking conditions\*:

Operating temperature: -40 ÷ 80°C (for electronic part)

Relative humidity: 0 ÷ 100%

EMC: in accordance to EN 61326

\*during the assembly / soldering operations, the temperature of the metal body, must be kept within the operating temperature range.

##### Temperature influence (deviation from 20°C):

Max. value between ±0,3°C / 25°C and ±0,3% span / 25°C

##### Supply voltage influence:

Negligible

##### Range configurations (measuring range):

It is possible to set the input temperature range (span) between -50°C to 800°C by the EVOMINI+SET configuration kit (it is needed a PC with OS Windows).

Zero adjustments: any value between -50°C to +50°C.

Minimum span: 50°C or 20°C (if the zero point is one of these values: -40°C, -20°C, 0°C, 20°C, 40°C, the minimum span is 20°C, otherwise is 50°C).

Sensor error compensation: over 2 points (max 1% of span)

##### Factory setting:

0 ÷ 150°C / sensor break >21 mA (Upscale).

##### Option:

Configuration Kit with USB interface EVOMINI+SET.

##### Packaging:

The package includes Italian and English user's manual.

CODE TO ORDER:

EVOMINI+W