

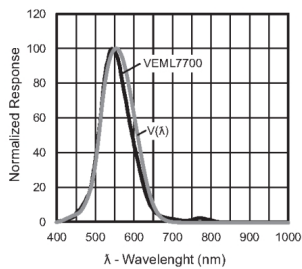
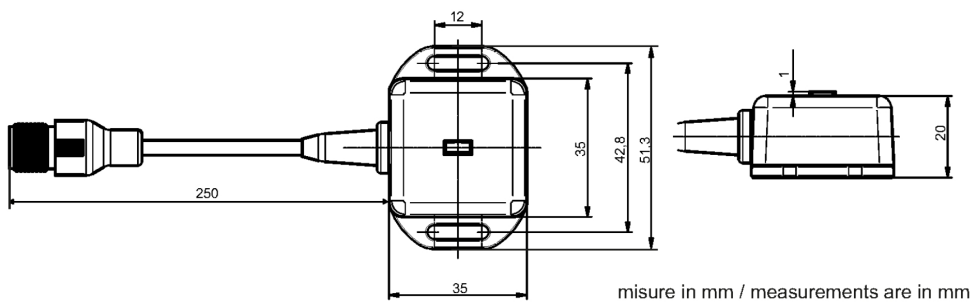
EVO035

Rev. 0 - 22/06/2021

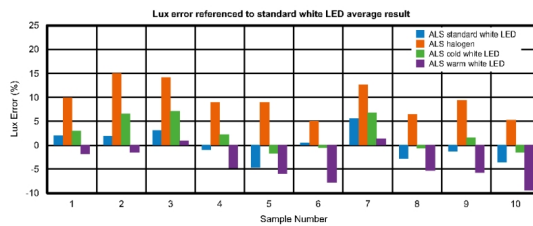
Ambient light digital sensor

Sensor with I2C Bus interface

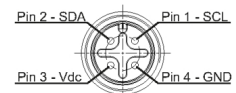
Can detect the ambient light in the range 0÷167 Klx; no calibration is needed. Compatible with EvominiSER art. code EVO032



Accuracy



Pin-Out



M12 4 pin male

TECHNICAL SPECIFICATION

Sensor working range	Temperature: -25 ÷85 °C
Supply voltage	2.4 ÷5.5 Vdc (typical 3.3 Vdc)
Accuracy	refer to the specific graphs
Measurement range	0 ÷167 lx
Resolution	0.005 lx
Box material	ABS black
Type of connector	male 4-pin connector with M12x1 metal screw lock (in accordance with IEC 61076-2-101 STANDARDS)

ORDER CODE

EVO035 Digital ambient light sensor