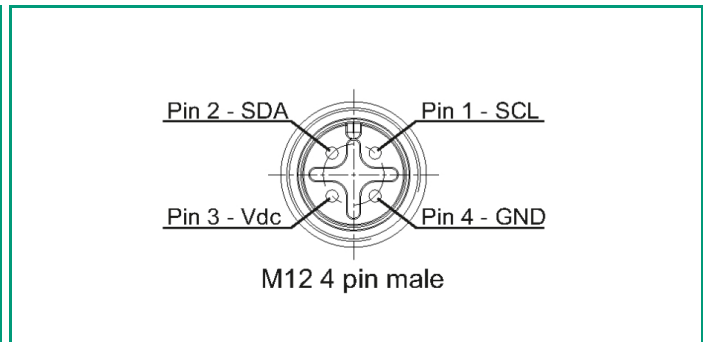
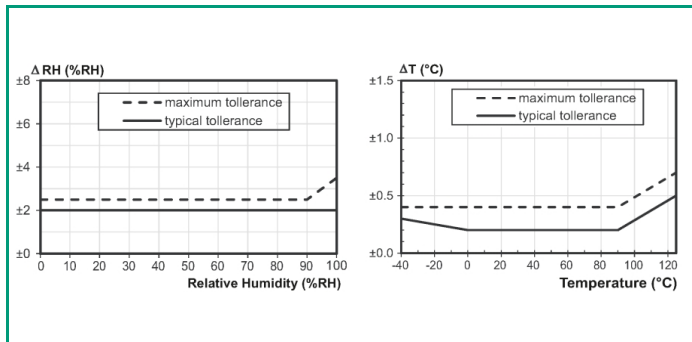
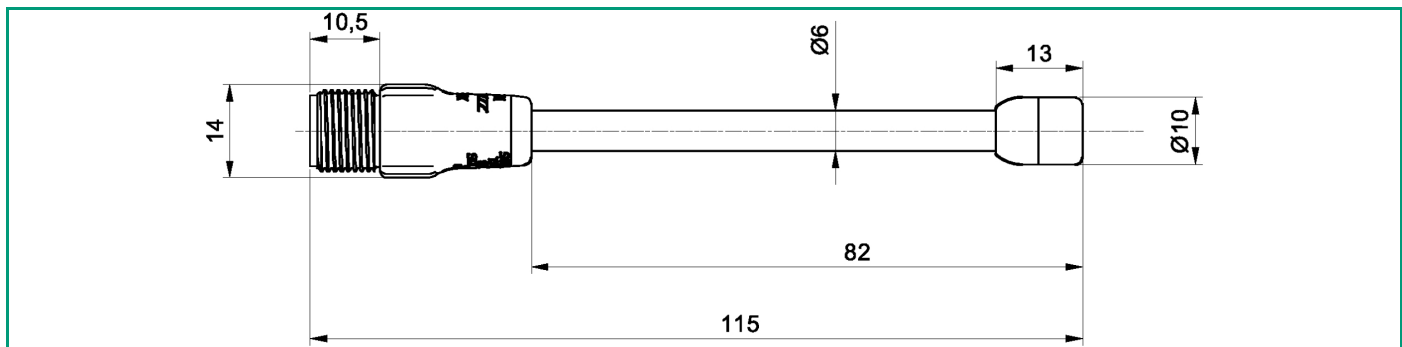


# Temperature and relative humidity digital sensor

## Sensor with I2C Bus interface

High accuracy compact sensor with M12 overmoulded connector, IP67 protection degree and stainless steel stem; no calibration is needed.  
 Can detect the temperature in the range  $-40\div 125^{\circ}\text{C}$  and the relative humidity in the range  $0\div 100\%$ .



## TECHNICAL SPECIFICATION

Sensing element operating temperature range	-40 ÷125°C
Sensing element humidity operating range	0 ÷100 %
Connector operating temperature	-40 ÷80°C
Supply voltage	2.4 ÷5.5 Vdc (typical 3.3 Vdc)
Accuracy	Temperature $\pm 0.2^{\circ}\text{C}$ @ 0÷90°C Relative humidity: $\pm 2\%$ @ 0÷100% refer to the specific graphs
Resolution	Temperature: 0.015 °C Humidity: 0.01 %
Type of connector	male 4-pin connector with M12x1 metal screw lock (in accordance with IEC 61076-2-101 STANDARDS)
Stem material	AISI 316L
Stem length L	80 mm Other lengths on request Maximum length 0.5 m
Sheath diameter d=	Ø 6 mm
International protection marking (*) (*) According to IEC 60529	IP67

## ORDER CODE

EVO033