

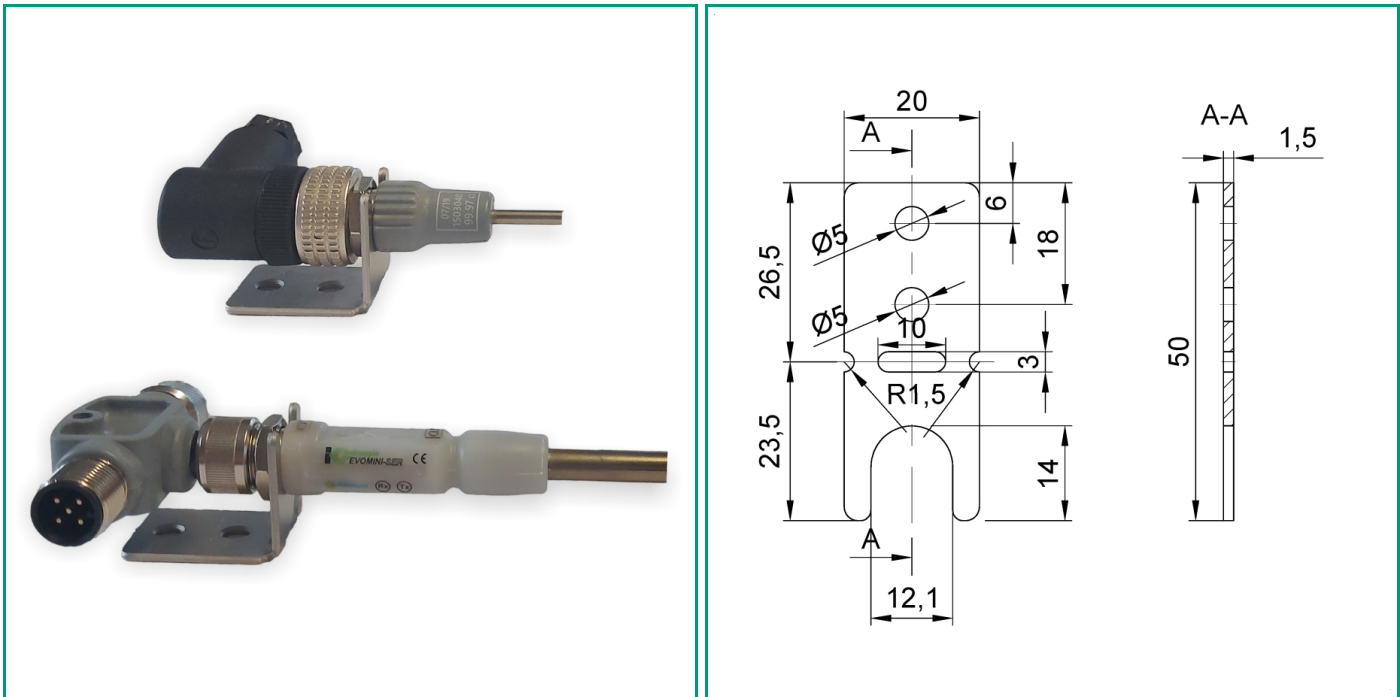
AMEC028

Rev. 0 - 28/10/2021

FIXING BRACKET FOR WALL

Wall mounting bracket for probes with M12 connector (TRM, TRC, TCSV12) and the devices EVOMINISER series

Suitable for environmental monitoring



TECHNICAL SPECIFICATION

Material	INOX
Fixing system	to be fixed to the wall with two screws (not included)

ORDER CODE

AMEC028