

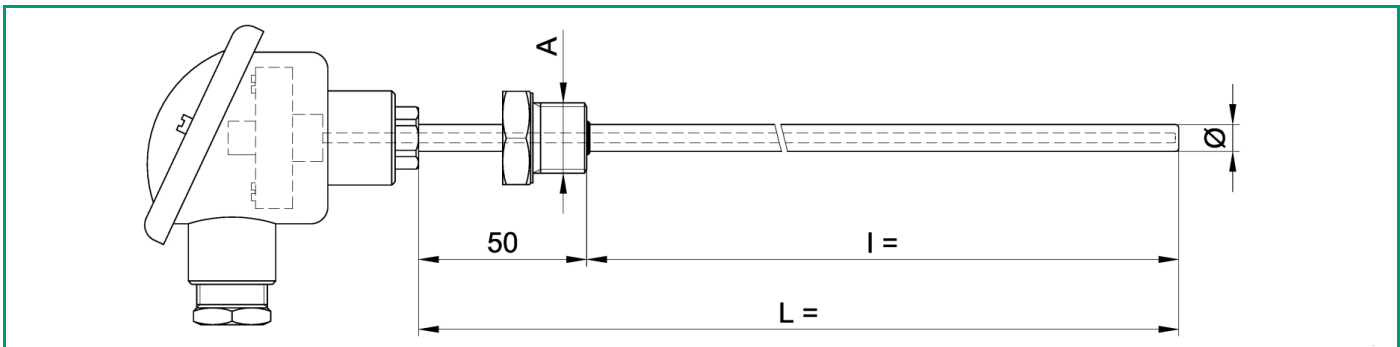
**ATYTR6**

Rev. 0 - 24/05/2021

# RTD Ø 6mm WITH CONNECTION HEAD

RTD probe with connection head suitable for temperatures up to 500°C

- Extractable measuring Insert
- single or dual RTD
- Stainless steel thermowell Ø6 mm with or without threaded welded connection
- Adjustability of the cable gland
- Optional transmitter



## TECHNICAL SPECIFICATION

<b>Sensing element</b>	Pt100 Ω @ 0°C
<b>Sensing Element configuration</b>	single 4-wire double 6-wire double 8-wire
<b>Accuracy class in accordance to IEC751 (*)</b> (*) Pt 100 cl.A only available with 3 or 4 wires, cl.AA 4 wires only; Pt 1000 cl. A available with 2 wires only for cable lengths below 1 m, for longer cables only available with 3 or 4 wires, cl. AA 3 wires for cable lengths below 1 m, for longer cables only 4 wires.	cl. A, Operating range (in which the accuracy class is guaranteed) -30 ÷ 300°C cl. B, Operating range (in which the accuracy class is guaranteed) -50 ÷ 500°C
<b>Response time (*)</b> (*) test in water in accordance with IEC 751. Time taken to reach 63.2% of temperature step	< 15 seconds
<b>Insulation resistance</b>	100 M Ω@ 100 Vdc.
<b>Thermowell rod</b>	Ø 6 mm
<b>Sheet material</b>	AISI 316

## TECHNICAL SPECIFICATION

<b>Stem length L</b>	100 mm 150 mm 200 mm 250 mm 300 mm 350 mm 400 mm 800 mm L= 820 mm L= 2250 mm (-0/+1.5%) 170 mm 1200 mm 850 mm L= 370 mm
<b>Dimensional notes</b>	Lengths other than those listed can be produced for minimum quantities to be agreed (after our feasibility study)
<b>Fixing system</b>	threaded connection
<b>Process connection (*)</b> (* Thread STANDARDS (CYL. GAS in accordance with UNI-ISO 228) (CON. GAS in accordance with UNI-ISO 7-1) (NPT in accordance with ANSI B 1.20.1)	1/4" GAS CIL 1/4" NPT 3/8" GAS CIL 3/8" NPT male thread G 1/2"UNI ISO 228 1/2" NPT 3/4" GAS CIL 3/4" NPT no threaded connection
<b>Immersion l</b>	50 mm 100 mm 150 mm 200 mm 250 mm 300 mm 350 mm  immersion l= 80 mm 40 mm 170 mm immersion l= 750 mm  immersion l= 800 mm immersion l= 220 mm
<b>Connection head / junction box</b>	DIN B (outlet PG16) head
<b>Connection head / junction box material</b>	COATED ALUMINIUM
<b>inside connection head</b>	ceramic terminal block metal disc for transmitter nylon terminal block 4÷20 mA transmitter for T/R 4÷20 mA transmitter for T/R Ex ia
<b>International protection marking (*)</b> (* According to IEC 60529)	IP65/67

# ORDER CODE

ATYTR#	P1			6				A		X
--------	----	--	--	---	--	--	--	---	--	---

Class	
A	A
B	B

Elements number	
Simple EI 4 wires	S
Double EI 6 wires	D
Double EI 8 wires	G

Process connection	
no connection	XX
1/4" gas CIL	AD
1/4" NPT	AF
3/8" gas CIL	AG
3/8" NPT	AI
1/2" gas CIL	AL
1/2" NPT	AN
3/4" gas CIL	AO
3/4" NPT	AQ

L = (mm)	I = (mm)		
100	50	0100	0050
150	100	0150	0100
200	150	0200	0150
250	200	0250	0200
300	250	0300	0250
350	300	0350	0300
400	350	0400	0350
100	-	0100	XXXX
150	-	0150	XXXX
250	-	0250	XXXX
300	-	0300	XXXX
350	-	0350	XXXX
400	-	0400	XXXX

Base/Transmitter	
Bas. nylon	ON
4÷20 mA transm.	T8