

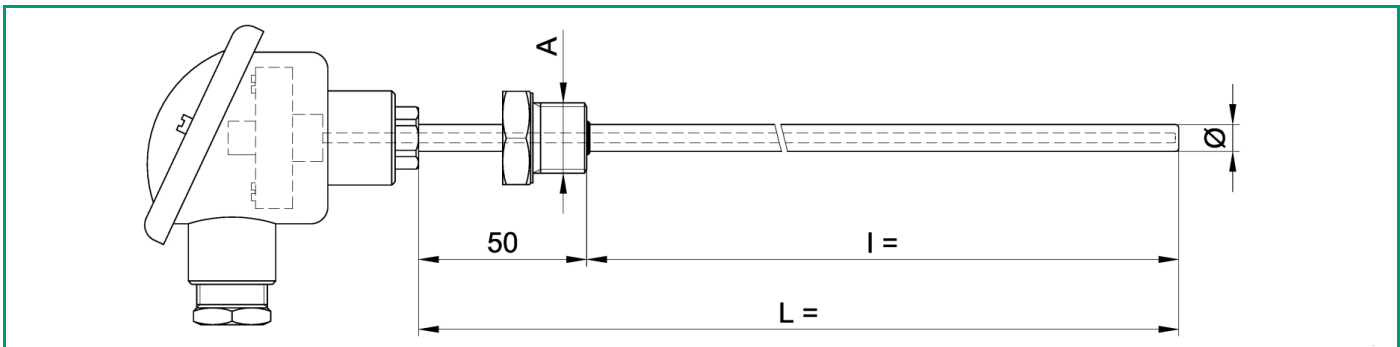
ATYTR8

Rev. 0 - 24/05/2021

RTD Ø 8mm WITH CONNECTION HEAD

RTD probe with connection head suitable for temperatures up to 500°C

- Extractable measuring Insert
- Single or Dual RTD
- Stainless steel thermowell Ø8 mm with or without threaded welded connection
- Adjustability of the cable gland
- Optional transmitter



TECHNICAL SPECIFICATION

Sensing element	Pt100 Ω @ 0°C
Sensing Element configuration	single 4-wire double 6-wire double 8-wire
Accuracy class in accordance to IEC751 (*) (*) Pt 100 cl.A only available with 3 or 4 wires, cl.AA 4 wires only; Pt 1000 cl. A available with 2 wires only for cable lengths below 1 m, for longer cables only available with 3 or 4 wires, cl. AA 3 wires for cable lengths below 1 m, for longer cables only 4 wires.	cl. A, Operating range (in which the accuracy class is guaranteed) -30 ÷ 300°C cl. B, Operating range (in which the accuracy class is guaranteed) -50 ÷ 500°C
Response time (*) (*) test in water in accordance with IEC 751. Time taken to reach 63.2% of temperature step	< 15 seconds
Insulation resistance	100 M Ω@ 100 Vdc.
Thermowell rod	Ø 8 mm
Sheet material	AISI 316

TECHNICAL SPECIFICATION

Stem length L	100 mm 150 mm 200 mm 250 mm 300 mm 350 mm 400 mm 800 mm L= 820 mm L= 2250 mm (-0/+1.5%) 170 mm 1200 mm 850 mm L= 370 mm
Dimensional notes	Lengths other than those listed can be produced for minimum quantities to be agreed (after our feasibility study)
Fixing system	threaded connection
Process connection (*) (* Thread STANDARDS (CYL. GAS in accordance with UNI-ISO 228) (CON. GAS in accordance with UNI-ISO 7-1) (NPT in accordance with ANSI B 1.20.1)	1/4" GAS CIL 1/4" NPT 3/8" GAS CIL 3/8" NPT male thread G 1/2"UNI ISO 228 1/2" NPT 3/4" GAS CIL 3/4" NPT no threaded connection
Immersion l	50 mm 100 mm 150 mm 200 mm 250 mm 300 mm 350 mm immersion l= 80 mm 40 mm 170 mm immersion l= 750 mm immersion l= 800 mm immersion l= 220 mm
Connection head / junction box	DIN B (outlet PG16) head
Connection head / junction box material	COATED ALUMINIUM
inside connection head	ceramic terminal block metal disc for transmitter nylon terminal block 4÷20 mA transmitter for T/R 4÷20 mA transmitter for T/R Ex ia
International protection marking (*) (* According to IEC 60529)	IP65/67

