

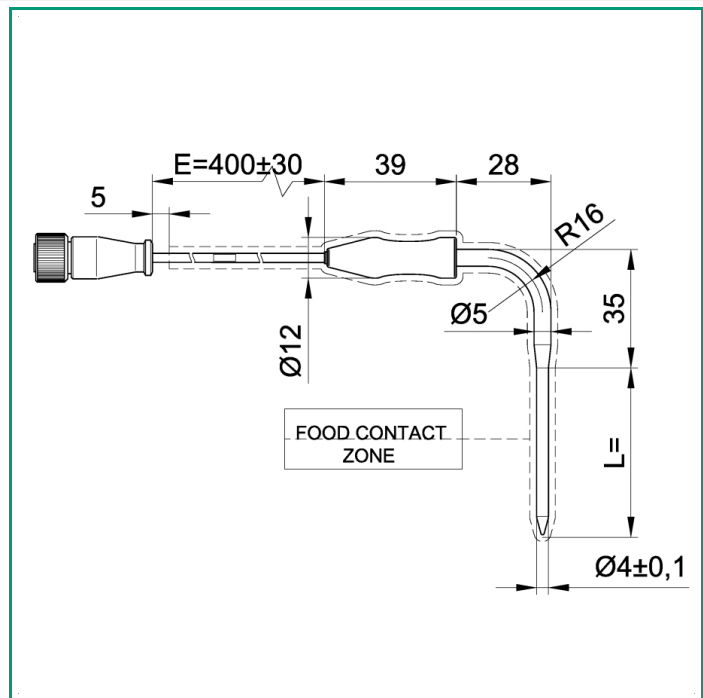
## C131005A

Rev. 0 - 24/05/2021

# NEEDLE PROBE FOR BLAST CHILLERS WITH ELBOW TAPERED HANDLE (NEEDLE MEASUREMENT POINTS)

Needle probe for refrigeration process. The thermoplastic food rubber construction gives to the product an high degree of environmental protection with a time stability. The ntc probe has a needle tip (tapered at  $\varnothing 4$  mm), so that it makes easier penetration in needle product with high response speed.

- ntc probe KTY (980÷1000 ohm) or NTC R(25°C)=10KOhm  $\pm 1\%$ ,  $\beta(25/85)=3435$
- stem  $\varnothing 5$  with elbow at 90°
- tapered sensing part  $\varnothing 4$  x 50mm AISI 316 with needle tip
- thermoplastic rubber handle TPE suitable for food usage
- M12 socket 4 pins



## TECHNICAL SPECIFICATION

<b>Sensing element</b>	NTC R(25°C)=10Kohm $\pm 1\%$ , beta(25/85)=3435
<b>Sensing element operating temperature range</b>	-50 ÷ 100°C
<b>Sheath diameter d=</b>	Ø 5
<b>Taper diameter</b>	tapered Ø 4 mm
<b>Sheet material</b>	AISI 316
<b>Insulation resistance</b>	100 M $\Omega$ @ 100 Vdc.
<b>Stem length L</b>	50 mm 65 mm
<b>Handle material</b>	food approved TPE thermoplastic rubber
<b>Fixing system</b>	bare stem
<b>Extension cable</b>	TPE 2 conductors, Working temperature -40 ÷ 105°C
<b>Cable extension E</b>	400 mm
<b>FCM Prescriptions</b>	Before the use is required to wash the food contact areas
<b>Contact food type</b>	all the foods
<b>Materials in contact with food</b>	AISI 316L
<b>Type of contact</b>	continuous

## TECHNICAL SPECIFICATION

Area suitable for contact

stem for 150 mm max length (measured from tip)

Contact food temperature range

-40 ÷ 150°C

**ITALCOPPIE SENSORI srl**

Via A. Tonani, 10 - Fraz. S. Giacomo al Campo  
26030 Malagnino (CR) - Italy

[www.italcoppie.it](http://www.italcoppie.it)

WE SENSE  **TEMPERATURE**