

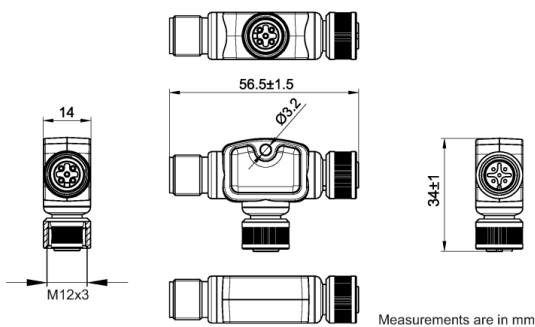
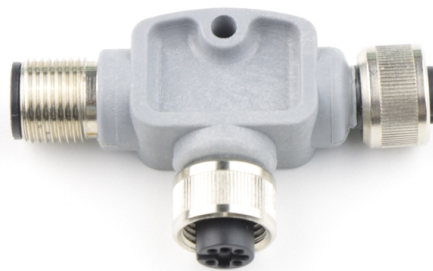
**CONV425**

Rev. 0 - 22/10/2021

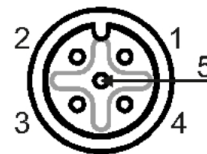
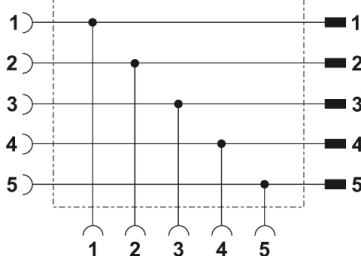
# T DISTRIBUTOR FOR EVOMINISER

Allows an easy and fast connection to EvominiSER series transmitters

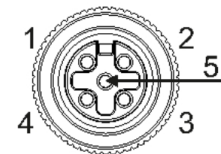
Type: Female - Male / Female (1:1 connection)  
The central hole for M3 screw allows an easy fixing



WIRING DIAGRAM



M12 male



M12 female

- 1: Vdc [Power supply]
- 2: TxRx+ (A) [RS485]
- 3: Gnd
- 4: TxRx- (B) [RS485]
- 5: Shield

## TECHNICAL SPECIFICATION

Type of connector	5 pin male connection with metallic M12x1 (in accordance to IEC 61076-2-101) 5 pin female connection with metallic M12x1 (in accordance to IEC 61076-2-101)
Connection body material	THERMOPLASTIC
Connector operating temperature	-40 ÷ 120°C
International protection marking (*) (*) According to IEC 60529	IP65/67
Connector coding	A type
Maximum operating voltage (pin 1 and 3)	35Vdc
Maximum current (pin 1 and 3)	3A @25°C
Signal type (pin 2-4-5)	Modbus

## ORDER CODE

CONV425