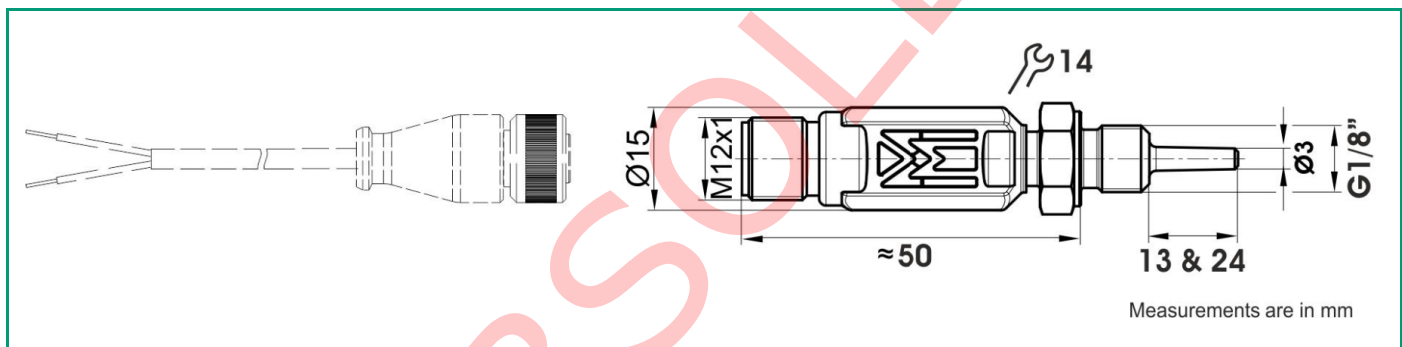


COMPACT TEMPERATURE PROBE WITH 4 ÷ 20mA OUTPUT

Programmable range

This device can be a reliable alternative to common assemblies with connection head. The moulded connector allow easy installation



TECHNICAL SPECIFICATION

Supply voltage	8,5 ÷ 32 Vdc (polarity protected)
Accuracy	maximum value between $\pm 0.2^\circ\text{C}$ and $\pm 0.2\%$ of range set
Effect of temperature (*) (*) deviation from 20°C	Maximum value between $\pm 0,3^\circ\text{C}/25^\circ\text{C}$ and $\pm 0,3\%$ of span/ 25°C
Permitted load	700 Ω @ 24 Vcc [RL Ω = (Valim. - 8,5) / 0,022]
Input/Output insulation	None
PCB input range	-50 ÷ 800 $^\circ\text{C}$
Signal	4 ÷ 20 mA
Sensor failure signalling	upper scale (> 21.0 mA) downscale (< 3.6 mA) action
Sensor short circuit signalling	Fixed at lower limit of range (< 3.6 mA)
Range configurations	It is possible set the device by EVOMINI+SET configuration kit (it is needed a PC with OS Windows).
Zero setting range	any value between -50°C and $+50^\circ\text{C}$
Minimum span	50 $^\circ\text{C}$ (if the zero point is one of these values: -40°C , -20°C , 0°C , 20°C , 40°C , the minimum span is 20 $^\circ\text{C}$, otherwise is 50 $^\circ\text{C}$)
Sensor error compensation	over 2 points (max 1% of span)

TECHNICAL SPECIFICATION

Effect of power supply	Negligible
PCB operating temperature	-40 ÷80°C
EMC	According to EN 61326-1:2013
Sensing element operating temperature range	-50 ÷110°C
Sensing element	Pt100 Ω @ 0°C
Accuracy class in accordance to IEC751 (*) (*) Pt 100 cl.A only available with 3 or 4 wires, cl.AA 4 wires only; Pt 1000 cl. A available with 2 wires only for cable lengths below 1 m, for longer cables only available with 3 or 4 wires, cl. AA 3 wires for cable lengths below 1 m, for longer cables only 4 wires.	cl. A
Sheath diameter d= (*) test in water in accordance with IEC 751. Time taken to reach 63.2% of temperature step	Ø 3,5 tapered conic to Ø 3 mm, Response time < 3,5 seconds(*)
Insulation resistance	100 M Ω@ 100 Vdc.
Stem length L	13 mm 24 mm
Type of connector	male 4-pin connector with M12x1 metal screw lock (in accordance with IEC 61076-2-101 STANDARDS)
Connection body material	THERMOPLASTIC
Fixing system	threaded connection
Process connection (*) (*) Thread STANDARDS (CYL. GAS in accordance with UNI-ISO 228) (CON. GAS in accordance with UNI-ISO 7-1) (NPT in accordance with ANSI B 1.20.1)	1/8" GAS CIL. sec. UNI-ISO 228 1/8" NPT 1/4" NPT
Maximum working pressure	PN 40 BAR
Marking	Stating symbol "SEE MANUAL", marking symbol "CE", part number, Week / Year of production, power supply range, pinout and serial number
International protection marking (*) (*) According to IEC 60529	IP65/67