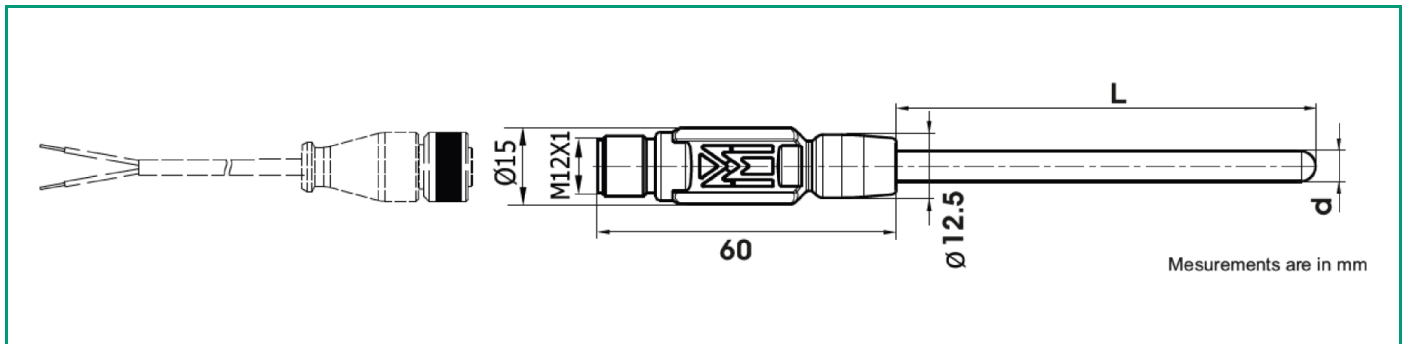
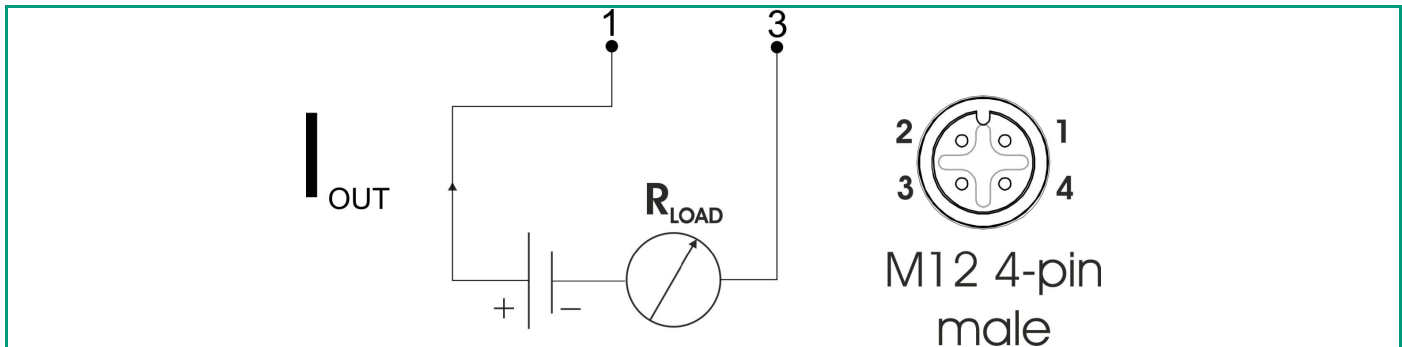


EVOMINI MIC

4÷20 mA temperature transmitter

This device can be a reliable alternative to common assemblies with connection head. Then moulded connector allow easy installation.



TECHNICAL SPECIFICATION

Supply voltage	10 ÷ 28 Vcc (polarity protected)
Accuracy	≤ ±0.3°C
Effect of temperature (*) (*) deviation from 20°C	Maximum value between ±0,3°C/25°C and ±0,3% of span/25°C
Permitted load	636 Ω @ 24 Vdc [RLΩ= (Vsupply - 10) / 0,022]
Sensor failure signalling	upper scale (> 21.0 mA) downscale (< 3.6 mA) action
Sensor short circuit signalling	Fixed at lower limit of range (< 3.6 mA)
Factory default	ranges available: 0 ÷ 100 °C 0 ÷ 150 °C 0 ÷ 300 °C -50 ÷ 150 °C -50 ÷ 100 °C -50 ÷ 50 °C Other configurations on request
Effect of power supply	Negligible
PCB operating temperature	-40 ÷ 80°C
EMC	According to EN 61326-1:2013
FCM Prescriptions	Before the use is required to wash the food contact areas
Contact food type	all the foods
Materials in contact with food	AISI 316L
Type of contact	continuous
Area suitable for contact	stem for a maximum length of 1 m (measured from the tip)
Contact food temperature range	-40 ÷ 150°C
Sensing element operating temperature range	-50 ÷ 500°C
Sensing element	Pt1000 Ω @ 0°C
Accuracy class in accordance to IEC751 (*) (*) Pt 100 cl.A only available with 3 or 4 wires, cl.AA 4 wires only; Pt 1000 cl. A available with 2 wires only for cable lengths below 1 m, for longer cables only available with 3 or 4 wires, cl. AA 3 wires for cable lengths below 1 m, for longer cables only 4 wires.	cl. A
Sheath diameter d=	Ø 3 mm Ø 6 mm
M.I.C. min. bending radius	3 times the outer diameter (except the sensing tip which length is ~30 mm)
Sheet material	AISI 316
Insulation resistance	100 M Ω @ 100 Vdc.
Realizable sheath lengths L= (subject to feasibility check)	50 mm ÷ 10 m
Type of connector	male 4-pin connector with M12x1 metal screw lock (in accordance with IEC 61076-2-101 STANDARDS)
Connection body material	THERMOPLASTIC
Fixing system	bare stem
Marking	Stating production batch, pin-out and power supply range
International protection marking (*) (*) According to IEC 60529	IP65/67