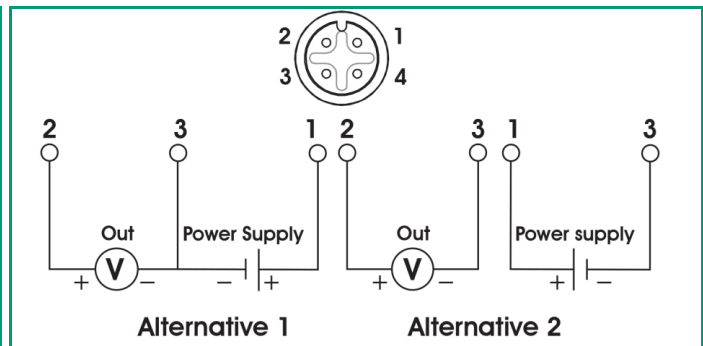
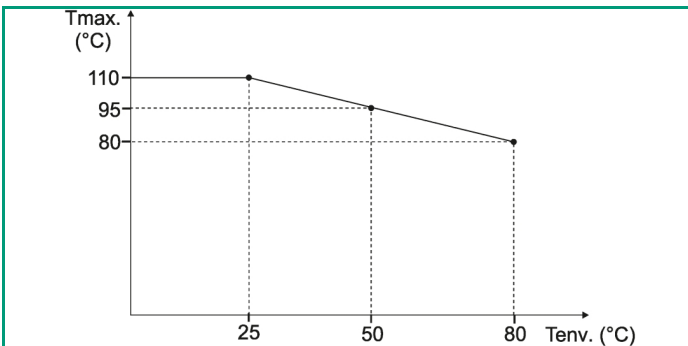
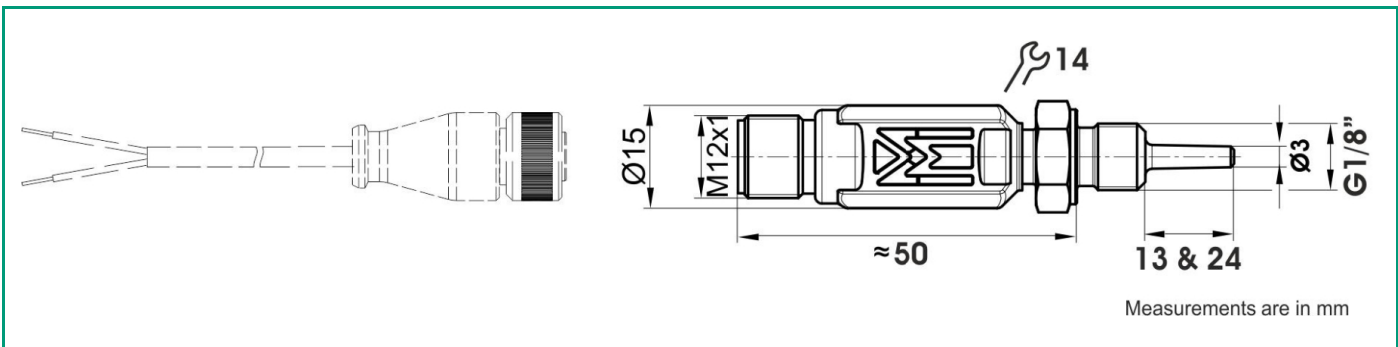


EVOMINIV T

0÷10V compact temperature transmitter

This device can be a reliable alternative to common assemblies with connection head. Then moulded connector allow easy installation



TECHNICAL SPECIFICATION

Power supply	20 ÷ 28 Vcc (polarity protected)
Accuracy (*) (*) @25°C	maximum value between ±0.2 °C and ±0.2% of range set
Response time of electronics section	<50 ms
Temperature influence (*) (*) deviation from 20°C	maximum value between ±0.15 °C/ 25 °C and ±0.15% of range
Permitted load	10 Kohm
Output signal type	0÷10 V
Sensor failure signalling	upscale (> 10,5 V) action downscale (0 V) action
Sensor short circuit signalling	fixed to downscale (0 V) action
Factory default	ranges available: 0 ÷ 100 °C 0 ÷ 150 °C 0 ÷ 300 °C -50 ÷ 150 °C Range (-50 ÷ 100) °C -50 ÷ 50 °C Other configurations on request
Effect of power supply	Negligible
Electronic board operating temperature	-40 ÷ 80°C
EMC	According to EN 61326-1:2013
Measurement range	-50 ÷ 110°C
Connection body material	THERMOPLASTIC
Type of connector	male 4-pin connector with M12x1 metal screw lock (in accordance with IEC 61076-2-101 STANDARDS)
Stem length L	13 mm 24 mm
Response time (*) (*) test in water in accordance with IEC 751. Time taken to reach 63.2% of temperature step	< 3,5 seconds
Sheath diameter d	Ø 3,5 tapered conic to Ø 3 mm
Sheet material	AISI 316
Sensing element	Pt1000 Ω @ 0°C
Accuracy class in accordance to IEC751 (*) (*) The accuracy class is valid only in the temperature range indicated by the norm	cl. A
Process connection (*) (*) Thread STANDARDS (CYL. GAS in accordance with UNI-ISO 228) (CON. GAS in accordance with UNI-ISO 7-1) (NPT in accordance with ANSI B 1.20.1)	1/8" GAS CIL. sec. UNI-ISO 228 1/4" GAS CIL 1/8" NPT 1/4" NPT
Maximum working pressure (*) (*) unless otherwise specified, it refers to room temperature	PN 100 BAR
International protection marking (*) (*) According to IEC 60529	IP65/67
Marking	Stating production batch, pin-out and power supply range