

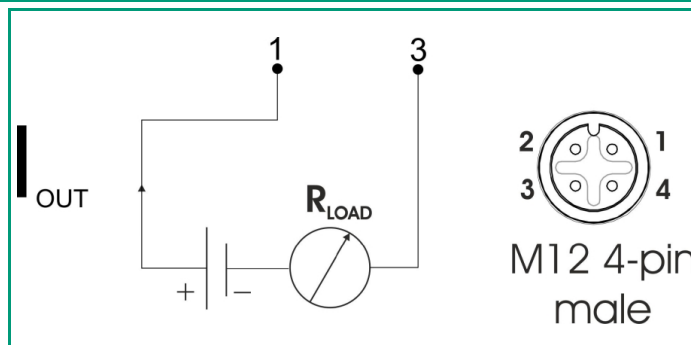
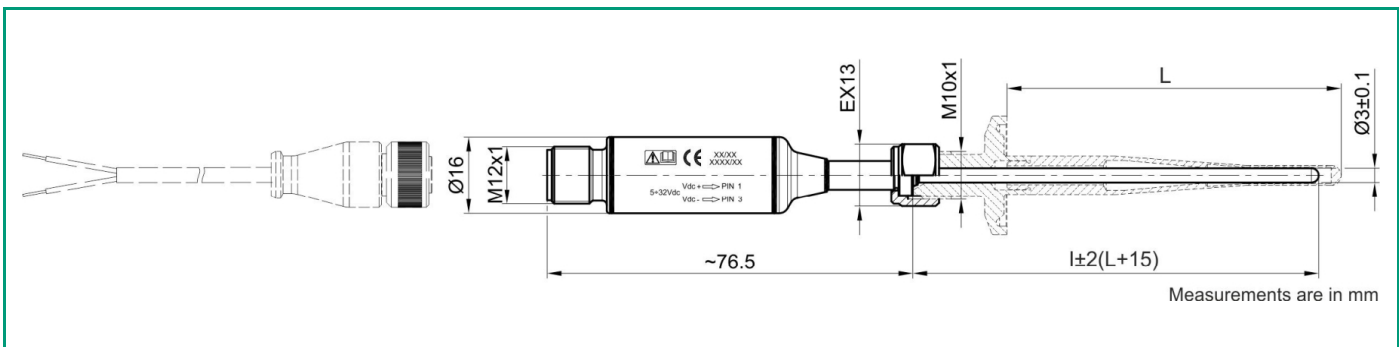
**EVOXD**

Rev. 3 - 19/01/2023

# EvominiX D

4÷20 mA programmable temperature transmitter with metallic body and connection for food thermowells

PC-configurable temperature transmitter with integrated probe in a single stainless steel device. The TWF (DIN 11851/Tri-clamp) can be used for process connection. It comes in a metallic IP67 body with M12 output connection. It is particularly suited for food, chemical and pharmaceutical industry.



## TECHNICAL SPECIFICATION

Electronic board operating temperature	-40 ÷85°C
Operating humidity	0 ÷100%
Power supply	5.5 ÷32 Vdc (polarity protected)
Input/Output insulation	None
Sensor input signal filter (*) (*) time to reach 90% of signal	Configurable from 0.4 to 9.4 seconds
Signal	4÷20 mA 20÷4 mA
Permitted load	840Ω @ 24 Vdc [Rload= (Vsupply. - 5.5) / 0.022]
Sensor break or short-circuit monitoring	According to NAMUR NE43, selectable between: Upper scale (> 21.0 mA) Lower scale (< 3,6 mA)
Accuracy (*) (*) @25°C	Maximum value between ±0.1K and ±0.1% of span
Temperature influence (*) (*) deviation from 20°C	Maximum value between ±0,3°C/25°C and ±0,3% of span/25°C
Long-term stability	Maximum 0.1% of span per year
Linear error	Negligible
EMC	In accordance to EN 61326-1:2013 (CE) In accordance to BS EN 61326-1:2013 (UKCA)
Range configurations	It is possible set the device by EVOMINI SET configuration kit (it is needed a PC with OS Windows).
Minimum span	20°C
Sensor error compensation	(±5°C) over two points
Measurement range	-50 ÷500°C
International protection marking (*) (*) According to IEC 60529	IP67
Connection body material	AISI 316L Stainless Steel
Sheet material	AISI 316L
Sheath diameter d	Ø 3 mm
Process connection (*) (*) Thread STANDARDS (CYL. GAS in accordance with UNI-ISO 228) (CON. GAS in accordance with UNI-ISO 7-1) (NPT in accordance with ANSI B 1.20.1)	TWF serie thermowells (excluded TWF2)
Type of connector	male 4-pin connector with M12x1 metal screw lock (in accordance with IEC 61076-2-101 STANDARDS)
Pt100 sensor accuracy	Class A up to 300°C according to IEC 751
Factory default	Range (0÷150)°C (4÷20)mA output Sensor break >21mA Sensor short-circuit <3.6mA
Option	On request adjustment on 1 or 2 points Extension cable in TPE with overmolded M12 connector (IP67). Available cable lengths: (3, 8 or 12)m (others on request)
Weight	35g

# ORDER CODES

