

EVOXW

Rev. 2 - 19/01/2023

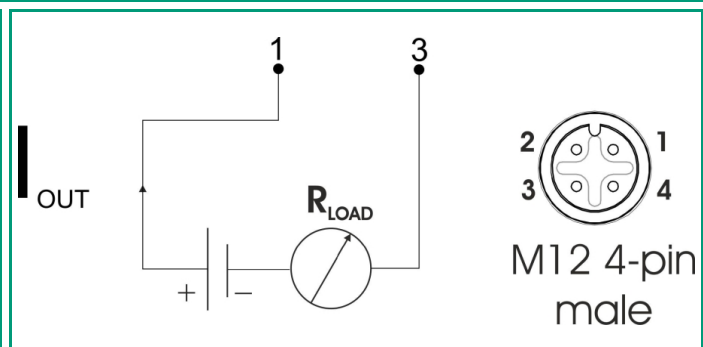
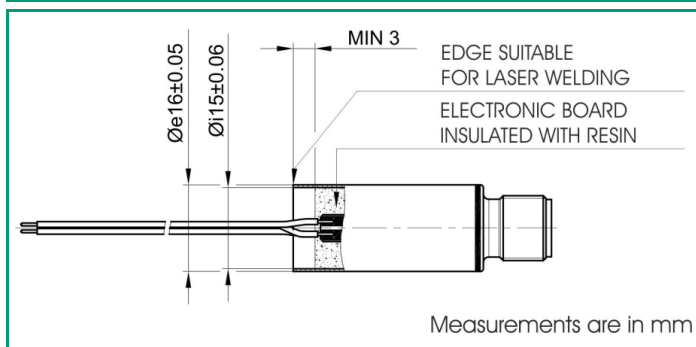
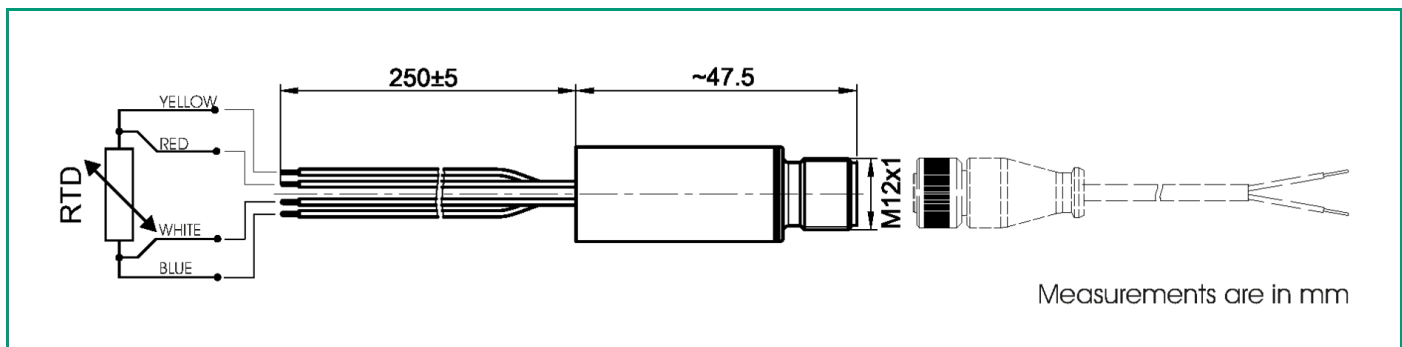
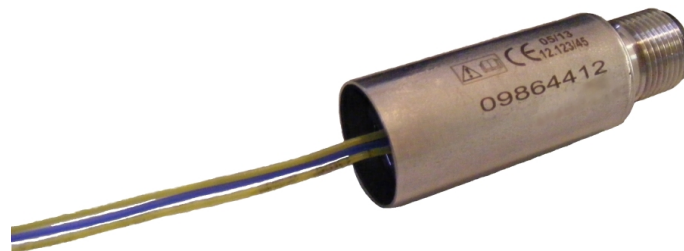
EvominiX W

4÷20mA programmable temperature signal converter (OEM version)

PC-configurable temperature converter (OEM version).

It comes in a metallic IP67 body with M12 output connection and easy input connection.

To be used as a component in customized probes.



TECHNICAL SPECIFICATION

Electronic board operating temperature	-40 ÷85°C
Operating humidity	0 ÷100%
Power supply	5.5 ÷32 Vdc (polarity protected)
Input/Output insulation	None
Electronic board input	RTD Pt100/Pt1000 ($\alpha= 0,00385$) 2, 3 o 4 wire connection
Sensor input signal filter (*) (*) time to reach 90% of signal	Configurable from 0.4 to 9.4 seconds
Sensor exciting current	~100 uA
Sensor wire maximum resistance	Max 20 ohm/wire
Signal	4÷20 mA 20÷4 mA
Permitted load	840Ω @ 24 Vdc [Rload= (Vsupply. - 5.5) / 0.022]
Sensor break or short-circuit monitoring	According to NAMUR NE43, selectable between: Upper scale (> 21.0 mA) Lower scale (< 3,6 mA)
Accuracy (*) (*) @25°C	Maximum value between ±0.1K and ±0.1% of span
Temperature influence (*) (*) deviation from 20°C	Maximum value between ±0,3°C/25°C and ±0,3% of span/25°C
Long-term stability	Maximum 0.1% of span per year
Linear error	Negligible
EMC	In accordance to EN 61326-1:2013 (CE) In accordance to BS EN 61326-1:2013 (UKCA)
Range configurations	It is possible set the device by EVOMINI SET configuration kit (it is needed a PC with OS Windows).
Minimum span	20°C
Sensor error compensation	(±5°C) over two points
Measurement range	-200 ÷800°C
International protection marking (*) (*) According to IEC 60529	IP67
Connection body material	AISI 316L Stainless Steel
Type of connector	male 4-pin connector with M12x1 metal screw lock (in accordance with IEC 61076-2-101 STANDARDS)
Response time	<300 ms (63%)
Factory default	Range (-50 ÷ 100) °C 4-wire Pt100 input (4÷20)mA output Sensor break >21mA Sensor short-circuit <3.6mA
Option	On request adjustment on 1 or 2 points Extension cable in TPE with overmolded M12 connector (IP67). Available cable lengths: (3, 8 or 12)m (others on request)

ORDER CODES

EVOXW#								X						XX	
Cable length	Input	Connection		Output	Min. range*	Max range*	Probe break	S/C probe							
250 L = (mm)	Pt1000 M Pt100 R	4 fili X 3 fili 3 2 fili 2		4÷20mA M 20÷4mA I	0 000 * Other range on request Ex. negative value -20 M20	+150 150	Out 21mA X Out 3,6mA B	Out 3,6mA X Out 21mA A							