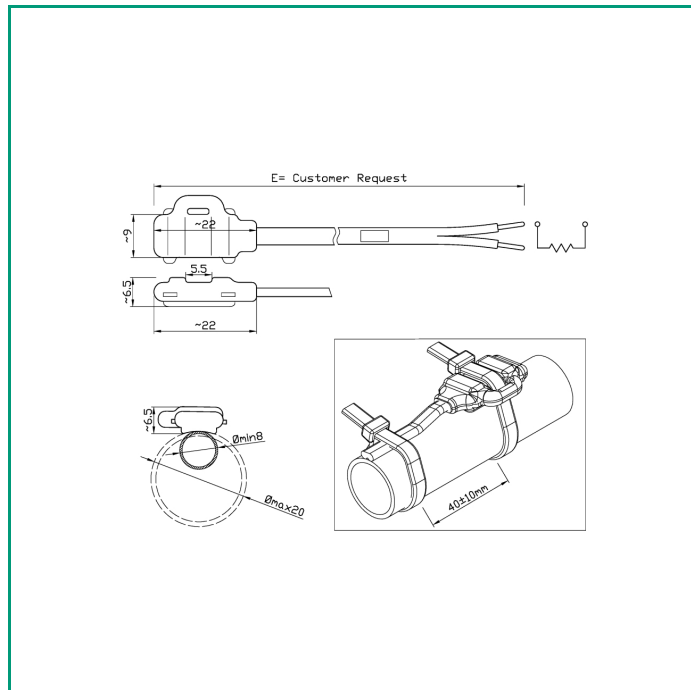


WATER TIGHT PROBE FOR PIPE MOUNTING

Thermoplastic rubber skin point probe with single insulation

Studied for direct mount on pipe sizes: $\varnothing 8 \dots \varnothing 20$
Direct mounting using standard cable ties EN50146



TECHNICAL SPECIFICATION

Sensing element	NTC R(25°C)=10Kohm ±1%, beta(25/85)=3977 NTC R(25°C)=10Kohm ±1%, beta(25/85)=3435 Pt100 Ω @ 0°C Pt1000 Ω @ 0°C
Sensing Element configuration	single 2-wire
Output signal type	thermoresistance thermistor
Accuracy class in accordance to IEC751 (*) (*) The accuracy class is valid only in the temperature range indicated by the norm	cl. B Thermistor (not classifiable in accordance with IEC 751)
Sensing element operating temperature range	-40 ÷85°C (105°C for 500h)
Insulation resistance	1000 M Ω@ 2500 Vdc.
Dielectric strength	1500 Vac
Support for mounting on pipeline	overmoulded on cable with width ~9 mm, length ~22 mm, thickness ~6.5 mm
Plastic bulb material	TPE (MOULDED)
Extension cable	TPE two-wire, single insulation
Cable conductors	copper tinned
Number of cable conductors	2
Conductor dimension	AWG 24
Conductor feature	strand (7 wire)
Primary insulation	TPE (thermoplastic rubber)
Cable size or external shape	form B flat wire 3.70 x 1.90 mm approx
Cable working temperature	-40 ÷105°C (6h @150°C)
Cable extension E	400 mm 1 m 1500 mm 2 m 3 m 5 m 5.5 m 6 m
Dimensional notes	Extensions other than those listed can be produced for minimum quantities to be agreed (after our feasibility study)
Tube compatibility	Ø 8 ÷20 mm
International protection marking (*) (*) According to IEC 60529	IP67
Fixing accessories	PA66 HT Cable Ties for 105°C 150x3.5mm Color Black - NOT INCLUDED

ORDER CODES

ICSKIN#		E	BN	X
Sensible element		Class	Lenght L = (mm)	
NTC R (25°C)= 10KΩ +/- 1% beta (25/85)= 3977	01	Pt100 e	400	0400
NTC R (25°C)= 10KΩ +/- 1% beta (25/85)= 3435	02	Pt1000	1000	1000
Pt 100	P1	NTC	1500	1500
Pt 1000	P3		2000	2000
			3000	3000
			5000	5000
			5500	5500
			6000	6000