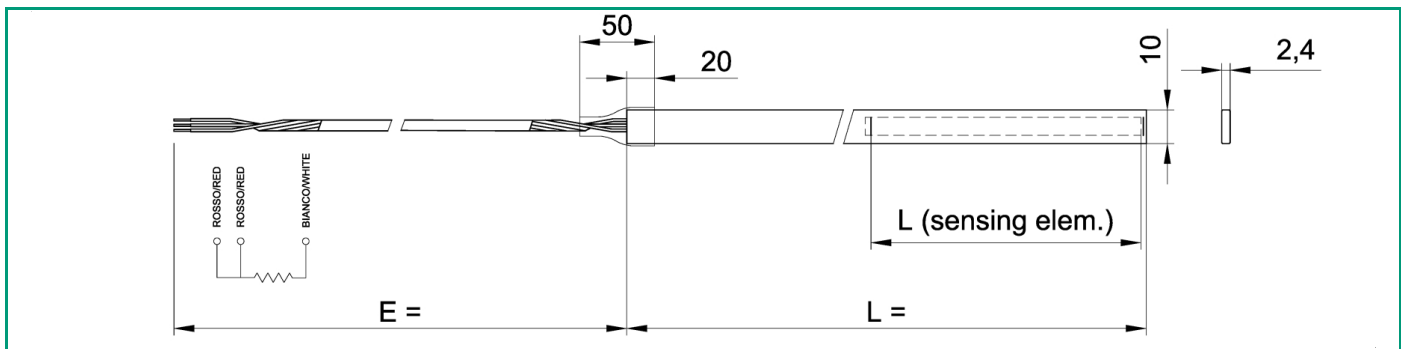


**N047010A**

Rev. 0 - 24/05/2021

# STATOR SLOT RTD SENSOR

Single RTD probe with thermoplastic substrate fiberglass added for hi temperatures



## TECHNICAL SPECIFICATION

<b>Sensing element</b>	Pt100 $\Omega$ @ 0°C
<b>Sensing Element configuration</b>	single 3-wire
<b>Accuracy class in accordance to IEC751 (*)</b> (*) Pt 100 cl.A only available with 3 or 4 wires, cl.AA 4 wires only; Pt 1000 cl. A available with 2 wires only for cable lengths below 1 m, for longer cables only available with 3 or 4 wires, cl. AA 3 wires for cable lengths below 1 m, for longer cables only 4 wires.	cl. B
<b>Sensing element operating temperature range</b>	-10 $\pm$ 150°C (180°C per brevi periodi)
<b>Insulation resistance</b>	10 G $\Omega$ @ 2500 Vdc.
<b>Dielectric strength</b>	5000 Vac
<b>Maximum working humidity</b>	95%
<b>Vibration resistance (secondo IEC 68-2-6, test Fc)</b>	4g (peak) ;15-250 Hz
<b>Sheet material</b>	High temperature FIBREGLASS, type FR5
<b>Stem length L</b>	250 mm
<b>Length of sensing part</b>	160 mm

## TECHNICAL SPECIFICATION

Fixing system	bare stem
Extension cable	ETFE rame stagnato a 3 conduttori trefolo 24 AWG
Cable conductors	copper tinned
Number of cable conductors	3
Conductor dimension	AWG 24
Conductor feature	strand (7 wire)
Primary insulation	ETFE
Primary insulation colour	1 white, 2 red
Cable size or external shape	twistato
Cable working temperature	-65 ÷ 150°C
Cable extension E	5 m