

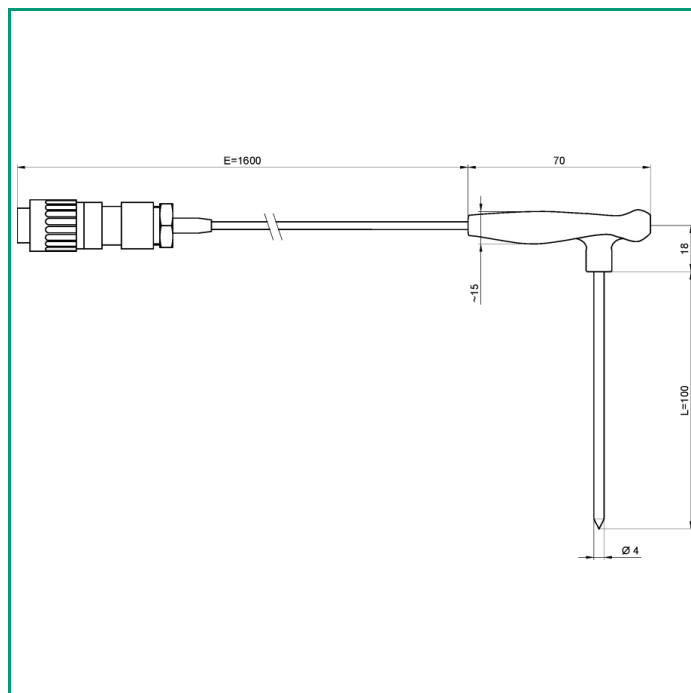
**P078006A**

Rev. 0 - 10/06/2022

# NEEDLE PROBE FOR OWENS WITH 90° HANDLE

RTD needle probe for professional ovens, single measuring point

- sensing element 1 Pt 1000 cl.B
- T max for short periods: 300°C
- Ø 4 mm stem in AISI316 with needle tip high temperature plastic overmoulded handle (suitable for food application, FDA APPROVED)
- tight construction: IP67
- PEEK double insulated cable (Fluoropolymer FDA approved)
- AMPHENOL T3434501 7 poles male connector ending



## TECHNICAL SPECIFICATION

Sensing element	Pt1000 $\Omega$ @ 0°C
Sensing Element configuration	single 2-wire
Accuracy class in accordance to IEC751 (*) (*) Pt 100 cl.A only available with 3 or 4 wires, cl.AA 4 wires only; Pt 1000 cl. A available with 2 wires only for cable lengths below 1 m, for longer cables only available with 3 or 4 wires, cl. AA 3 wires for cable lengths below 1 m, for longer cables only 4 wires.	cl. B
Sensing element operating temperature range	-50 $\pm$ 260°C (300°C for short periods)
Sheath diameter d	$\varnothing$ 4 mm
Sheet material	AISI 316
Insulation resistance	100 M $\Omega$ @ 500 Vdc.
Stem length L	100 mm
Handle material	polymers suitable for contact with foods
Handle shape	elbow
Fixing system	bare stem
Cable conductors	copper nickel plated
Number of cable conductors	4
Conductor dimension	AWG 24
Conductor feature	strand (7 wire)
Primary insulation	PEEK
Shield (internal)	polyimide separator tape
Secondary insulation	PFA
Cable size or external shape	about $\varnothing$ 2,9 mm
Cable working temperature	-65 $\pm$ 260°C (4h @300°C)
Cable extension E	1600 mm
Product type	componente
Component type	Sensible element
Sensing element	Pt1000 $\Omega$ @ 0°C
RTD wire type	con fili NiPt Tmax 500°C (Tmin ...)
RTD dimension	dimensione per foro $\varnothing$ 2.3mm (Lu=xx, La=xx, H=xx Lfili=xx)
Accuracy class in accordance to IEC751 (*) (*) Pt 100 cl.A only available with 3 or 4 wires, cl.AA 4 wires only; Pt 1000 cl. A available with 2 wires only for cable lengths below 1 m, for longer cables only available with 3 or 4 wires, cl. AA 3 wires for cable lengths below 1 m, for longer cables only 4 wires.	cl. B
Variant	null
RTD minimum temperature	-70°C
RTD maximum temperature	500°C