

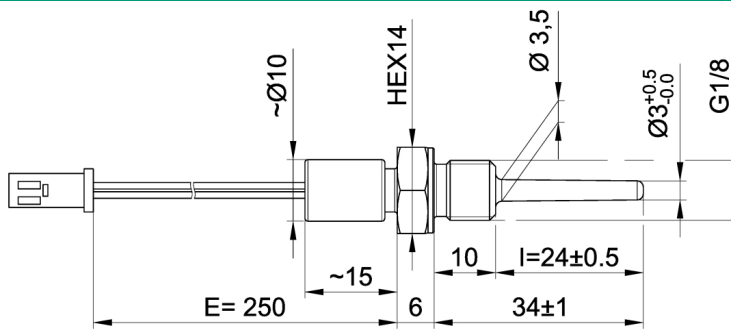
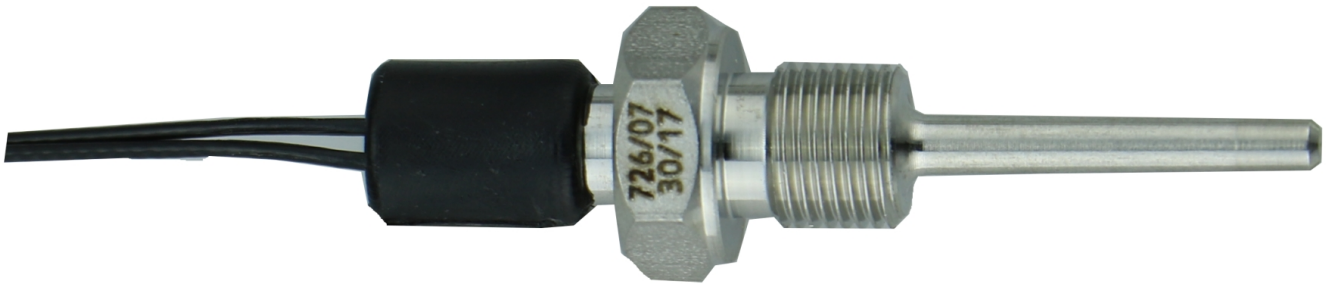
P084001A

Rev. 0 - 24/05/2021

NTC PROBE 3.3K COMPACT 1/8 G WITH INTEGRATED CABLE

NTC probe 3.3K COMPACT with integrated cable

- sensing element NTC 3300 Ohm \pm 2,5% @ 100°C β =(0/100) 3970
- AISI 316L thermowell with threading 1/8 G
- unipolar cables with polyester insulation (high temp)
- AMP MODU II connector



TECHNICAL SPECIFICATION

Sensing element	NTC R(100°C)=3.3Kohm \pm 2.5%, beta(0/100)=3970
Sensing Element configuration	single 2-wire
Sensing part maximum working temperature	150°C
Insulation resistance	100 M Ω @ 100 Vdc.
Sheet material	AISI 316L
Sheath diameter d=	Ø 3,5 tapered conic to Ø 3 mm
Immersion l	24 mm
Cable working temperature	-50 ÷ 175°C (500h @ 185°C)
Cable conductors	copper tinned
Number of cable conductors	unipolar
Conductor dimension	AWG 24
Conductor feature	strand (7 wire)
Primary insulation	Thermoplastic Copolyester (TPC)
Primary insulation colour	black
Cable size or external shape	about Ø 1,05 mm
Transition sleeve type	MOULDED thermoplastic round sleeve

TECHNICAL SPECIFICATION

Maximum transition temperature	150°C
Cable extension E	250 mm
Connection body material	HIGH TEMPERATURE THERMOPLASTIC
Fixing system	threaded connection
Process connection (*) (* Thread STANDARDS (CYL. GAS in accordance with UNI-ISO 228) (CON. GAS in accordance with UNI-ISO 7-1) (NPT in accordance with ANSI B 1.20.1)	1/8" GAS CIL. sec. UNI-ISO 228
pin carrier type	AMP MODU II Connector cod 280358 with 2 ways
Seamed pin type	AMP MODU II, mat. tinned bronze, for cables AWG26-AWG22, cod. 280708-2
International protection marking (*) (* According to IEC 60529	IP65/67