

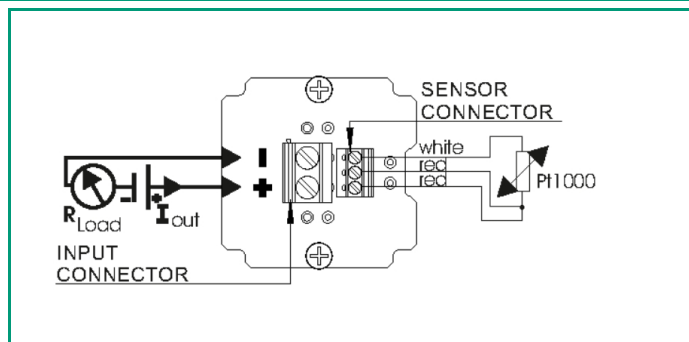
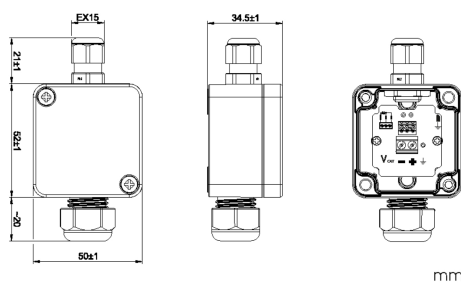
SCATETT

Rev. 2 - 02/09/2022

PLASTIC JUNCTION BOX FOR DISCONNECTABLE EXTERNAL PROBE

Temperature transmitter with plastic junction box and 4÷20 mA output

Temperature transmitter with plastic junction box; the housing is equipped with 2 cable gland for probe mounting and device's probe supply. The 4 ÷ 20mA output is in 2-wire technique



TECHNICAL SPECIFICATION

Power supply	10 ÷28 Vcc (polarity protected)
Accuracy (*) (*) @25°C	≤ ±0.3°C
Response time of electronics section	<50 ms
Temperature influence (*) (*) deviation from 20°C	Maximum value between ±0,3°C/25°C and ±0,3% of span/25°C
Permitted load	636 Ω @ 24 Vdc [RLΩ= (Vsupply - 10) / 0,022]
Sensor failure signalling	upper scale (> 21.0 mA) downscale (< 3.6 mA)
Sensor short circuit signalling	Fixed at lower limit of range (< 3.6 mA)
Effect of power supply	Negligible
Electronic board operating temperature	-40 ÷80°C
EMC	In accordance to EN 61326-1:2013 (CE) In accordance to BS EN 61326-1:2013 (UKCA)
Terminal electrical connection	2 pole screw terminal block 5.08mm pitch
Electronic board input	RTD Pt1000 (α= 0.00385) 3 wire connection
International protection marking (*) (*) According to IEC 60529	IP65/67
Connection head / junction box material	PLASTIC
Cable gland dimension	Ø 5 ÷10 mm
Cable gland (temperature probe)	Ø 5 ÷6.5 mm (PG7)
Fixing accessories	wall mounting screws (self-tapping 3.5 for expansion plugs Ø6 mm) NOT SUPPLIED
Factory default	-50 ÷ 100 °C Other configurations on request

ORDER CODES

SCAT#	EP3XX
-------	-------