

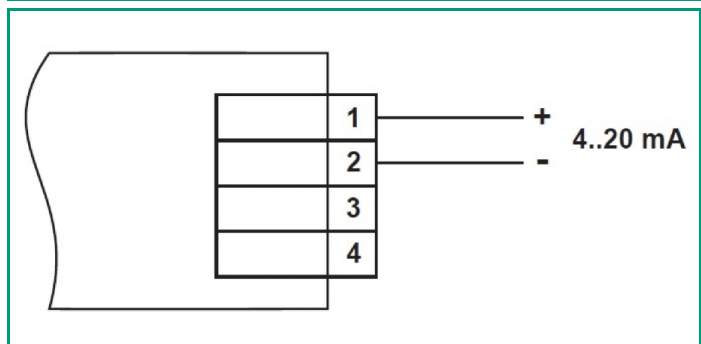
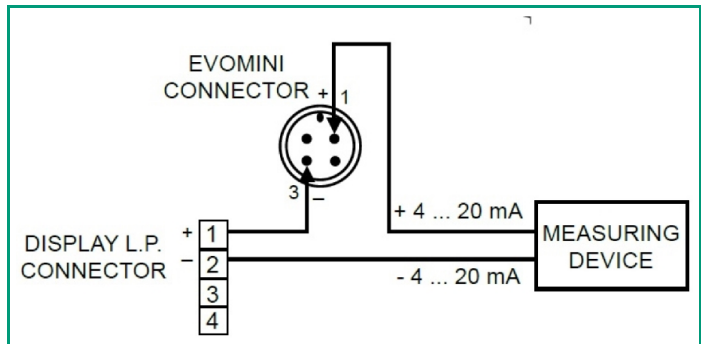
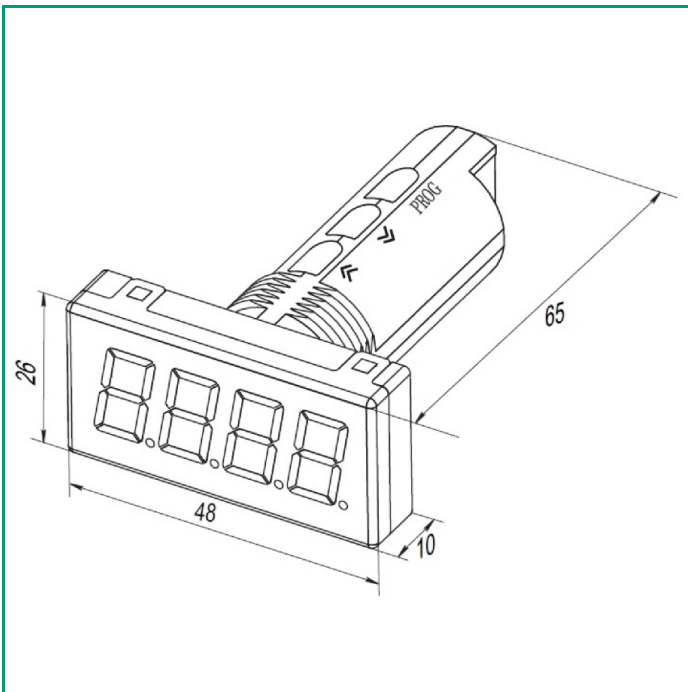
STR215

Rev. 0 - 24/05/2021

LOOP POWERED DISPLAY

Display for the EVOMINI series temperature transmitters

4 digit display designed to be connected to the evomini series loop powered temperature transmitters; it requires no auxiliary power and is supplied directly from the measured current. The measured values are scalable and the programming is done by the 3 integrated buttons. The display has a compact, standardized design and it fits into a standard 22.5mm borehole for signal lamps.



TECHNICAL SPECIFICATION

Power supply	From current loop
Signal	4 \pm 20 mA
PCB input range	3,8 \pm 22,5 mA (guaranteed up from 3.2 to 25 mA)
Voltage drop (I=20mA)	\leq 7 V
Input resistance	\leq 200 Ω
Accuracy	0,2 % fsv + 1 digit
Type of display	4 digit (segment red), height 14 mm
Input signal sampling	1 sample/second
Protection class (*) (*) Protection class	III
International protection marking (*) (*) According to IEC 60529	Front panel IP65 Rear IP20
Dimensions	48 mm x 26 mm x 65 mm
Weight	about 30 gr
Operating and storage conditions	Operating temperature: -30 \div 70°C Storage temperature: -40 \div 80°C Humidity: >80% (non condensing)
Other characteristics	3 keys for the programmation Password protection to prevent unauthorised changes of settings Display alarm for values outside the specified range (Hi, Lo) Calculation of the square root Damping of the measured signal (filter time programmable)