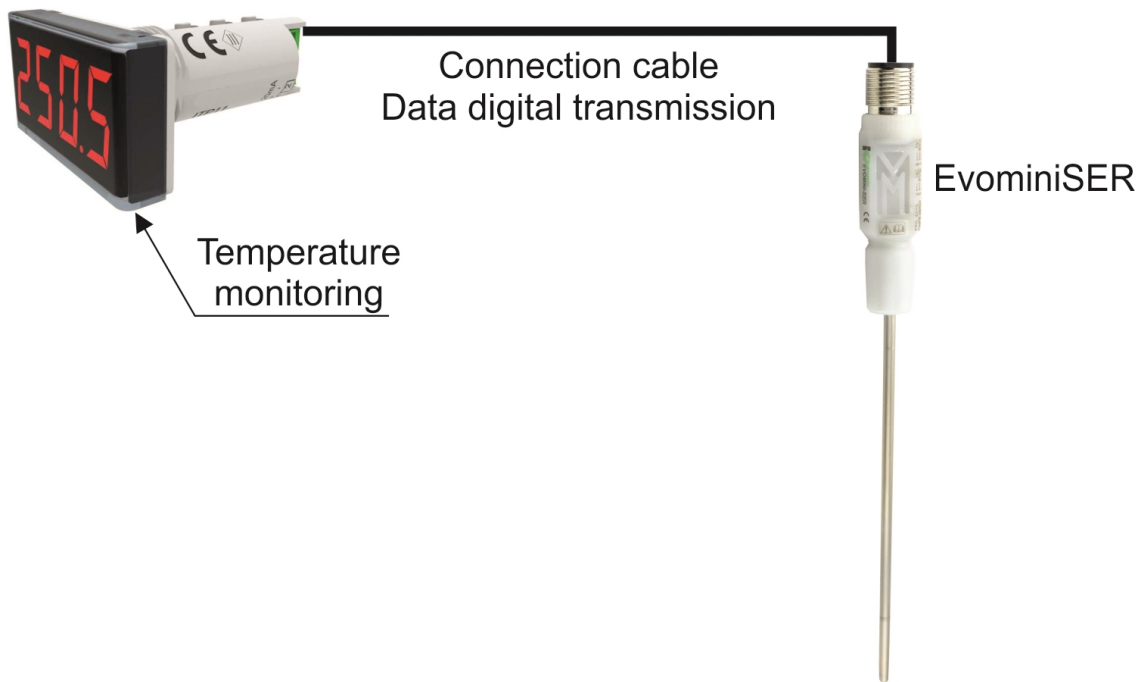


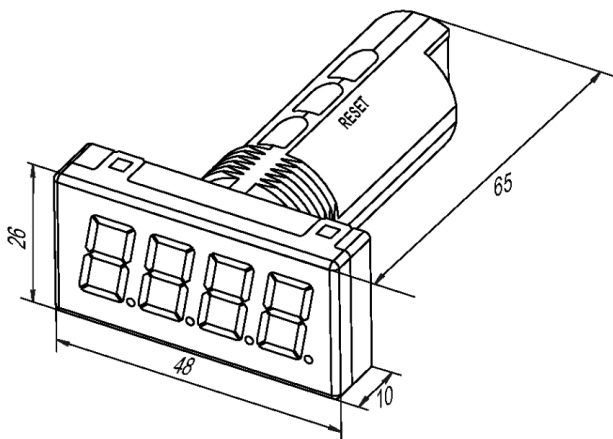
DISPLAY WITH MODBUS-RTU SERIAL INTERFACE

Display for EvominiSER series converters/transmitters

4-digit (7-segment) red display suitable for connection to EvominiSER series transmitters / converters (all models). It is possible monitoring a variable in real time (temperature, relative humidity, dew point, etc.) detected by the EvominiSER series devices. Its compact design is suitable for installation in the standard boreholes of the panel lights or buttons (\varnothing 22.5mm).

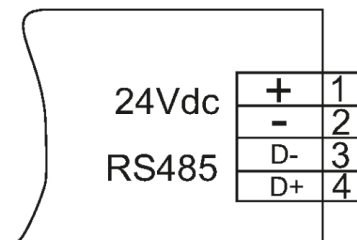


Mechanical dimensions



measurements are in mm

Pin out



TECHNICAL SPECIFICATION

Power supply	10.5 \pm 30 Vdc (polarity protected)
Type of display	4 digit (segment red), height 14 mm (version with green digit, item STR223)
Protection class	III
International protection marking (*) (* According to IEC 60529)	Front panel IP65 Rear IP20
Dimensions	48 mm x 26 mm x 65 mm
Weight	about 30 gr
Operating and storage conditions	Operating temperature: -40 \div 70°C Storage temperature: -25 \div 70°C Humidity: >80% (non condensing)
Other characteristics	1 key to enable programming Parameter programming by software Display alarm for values outside the specified range (Hi, Lo)