

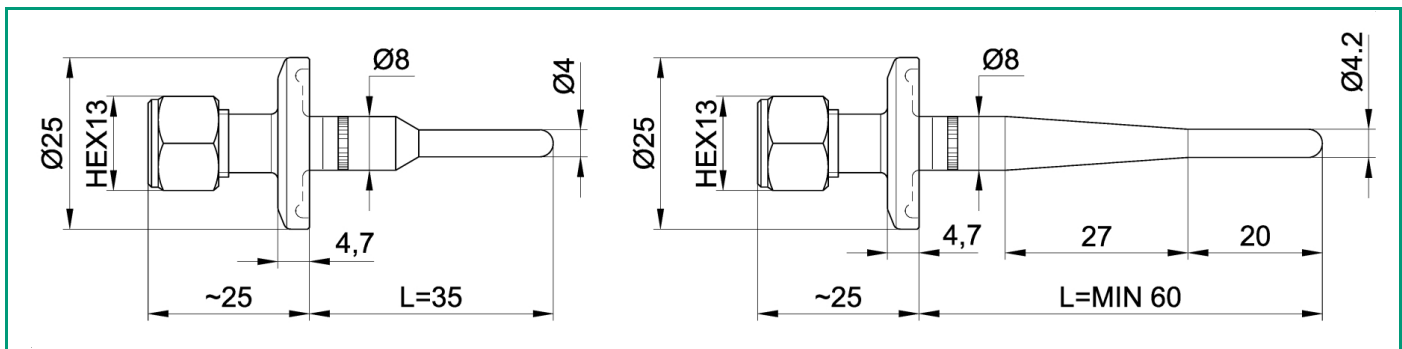
TWF1

Rev. 0 - 24/05/2021

THERMOWELL IN AISI 316 WITH CLAMP CONNECTION 3/4" FOR PROBE Ø 3mm

Ideal for applications in the food, chemical and pharmaceutical industries.

- Suitable for inserting probes Ø 3 mm
- Sealing system with special nose cone (carved) that allows repeated tightening without damaging the probe
- Clamp connection 3/4 "for maximum hygiene, cleaning and easy disassembly



TECHNICAL SPECIFICATION

Sensor fixing mechanism	by means of reversible (cut) metal ferrule
For probe	Ø 3 mm
Fixing system	sanitary fitting connection
Sanitary connection (*) (*) Ref. STANDARD (CLAMP in accordance with BS 4825) (MALE UNION in accordance with DIN 11851)	CLAMP 3/4"
Sheet material	AISI 316
Immersion l	35 mm 60 mm 100 mm 120 mm
Dimensional notes	Immersion other than those listed can be produced for minimum quantities to be agreed (after our feasibility study)
Surface finish	polished with roughness below Ra=0.8 µm