

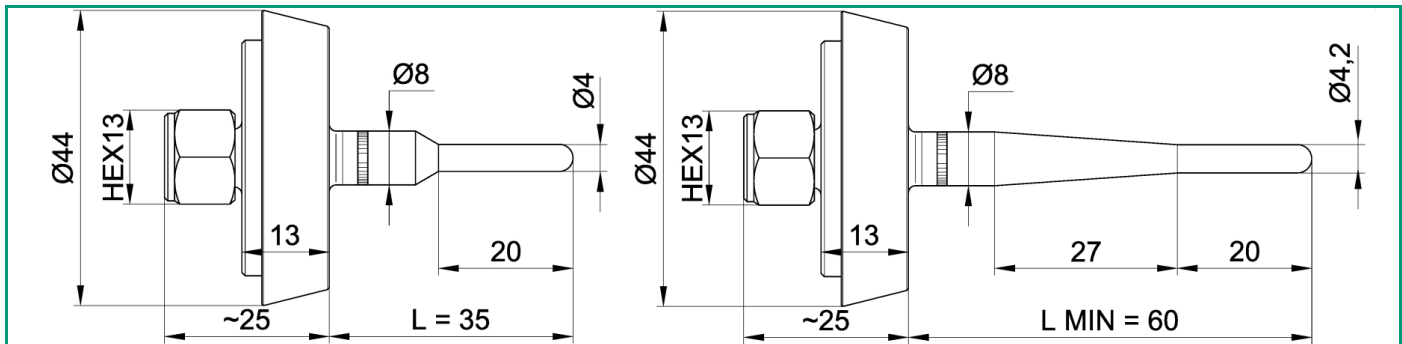
**TWF3**

Rev. 0 - 24/05/2021

## THERMOWELL IN AISI 316 WITH CONNECTION DIN11851 DN 25 FOR PROBE Ø 3 mm

Ideal for applications in the food, chemical and pharmaceutical industries.

- Suitable for inserting probes Ø 3 mm
- Sealing system with special nose cone (carved) that allows repeated tightening without damaging the probe
- Connection DIN11851 DN 25 for Farma-alimentary processes



## TECHNICAL SPECIFICATION

Sensor fixing mechanism	by means of reversible (cut) metal ferrule
For probe	Ø 3 mm
Fixing system	sanitary fitting connection
Sanitary connection (*) (*) Ref. STANDARD (CLAMP in accordance with BS 4825) (MALE UNION in accordance with DIN 11851)	RACCORDO MASCHIO DN 25 (DIN 11851)
Sheet material	AISI 316
Immersion l	35 mm 60 mm 100 mm 120 mm
Surface finish	polished with roughness below Ra=0.8 µm
Variant	null